

DATS-HITS

Hammer Impact Test System (HITS)

Easy set up

Simple and fast to use

Accurate, reliable, reproduceable test

Built with decades of experience

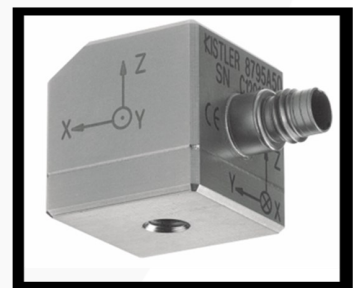
Data export included



Prosig's HITS solution is not only the most simple to use and understand, but it's 100% reliable giving perfect results every time.

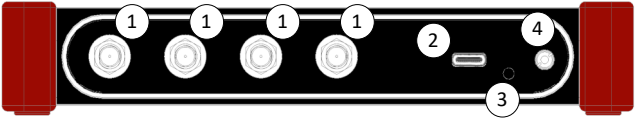
The complex mathematics of windowing, transfer function type, frequency range is all taken care of. What's more, the automated peaking picking algorithm will find the modes automatically for you.

Need to export test results to Word or Excel for FEA validation? No problem. It's all included.



Hammer Impact Test System (HITS)

CONNECTORS



① Analog/tacho inputs ③ Power LED
 ② USB-C (Data & power) ④ Electrical ground

SYSTEM

Inputs	4 x analog (IEPE or voltage)
Maximum sampling rate	100k samples/sec/channel
Resolution	24 bit
Noise floor	-130dB
Overall accuracy	± 0.10% FSD
Input voltage range	9 selectable ranges
Input impedance	1MΩ
IEPE power	20V@4mA switchable
Communications	USB

ANALOG INPUTS

Input mode - Analog	IEPE (single ended), voltage (differential)
Anti-alias protection	>150dB
Dynamic range	100dB @ 10k samples/second
Maximum input range	± 24V

ENVIRONMENT & GENERAL

Operating temperature	-30°C to 65°C (-22°F to 149°F) (Cold start)
Shock and vibration	MIL-STD-810G 2014, 514.7C-2 MIL-STD-810G 2014, 514.7C-3
Humidity	95% RH, non-condensing
Power usage	< 2W (worst case)
Shock and vibration	MIL-STD-810G
IP Rating	IP54
Supply voltage	From USB
Connectors	4 x SMA (Analog inputs) USB-C (Power & data)
Dimensions (H x W x D)	30mm x 167mm x 97mm 1.2" x 6.6" x 3.8"
Weight	365g (0.80 lbs) 823g (1.81 lbs) with case and accessories

DATS-HITS includes

Hardware

Prosig Data Acquisition System

- 24-bit
- 4 analogue input channels
- Up to 100k samples/sec per channel
- Dynamic range: 100dB
- Noise floor: -130dB

Software

Prosig Data Acquisition System

- DATS-HITS capture/analyze/report
- Modal Analysis (optional)
- Structural Animation (optional)

Options

Software

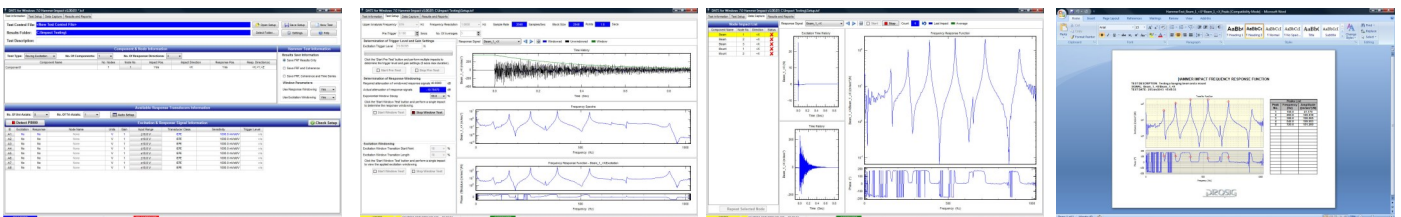
- Modal Analysis
- Structural Animation

Sensors Option 1

- Instrumented hammer
- Single axis accelerometer

Sensors Option 2

- Instrumented hammer
- Tri-axis accelerometer



Specifications may be subject to change without prior notice.

V3.03 4-Nov-2022 Copyright © Prosig Ltd



Link House, High Street
 Fareham, Hampshire
 PO16 7BQ
 United Kingdom
 sales@prosig.com



UK: +44 (0)1329 239925
 USA: +1 847-228-0985
 France: +33 (0)130 751507
 Italy: +39 0331 178 5834

